

SKB/SKC Valve Actuator

24 Vac, Proportional Control
0 to 10 Vdc or 4 to 20 mA
Spring Return



Flowrite SKB/SKC Valve Actuator.

Description

Designed for use with Flowrite and other standard valves with a 3/4-inch and 1-1/2-inch (20 and 40 mm) strokes, the Flowrite SKB/SKC Electronic Valve Actuator receives a 0 to 10 Vdc or 4 to 20 mA control signal to proportionally control the valve. The actuators are available with standard or advanced functionality.

Features

Standard Models

Part nos. with U suffix have these standard features:

- Direct-coupled installation requires no special tools or adjustments
- Visual and electronic stroke indication
- Die-cast aluminum housing
- Highest close-off in the industry
- 3/4-inch stroke (SKB)
- 1-1/2-inch stroke (SKC)
- 1000 lb. (4400 N) nominal force
- Manual override
- Spring return to fail safe position
- Maintenance-free

Advanced Feature Models

Part nos. with UA suffix have standard features, plus these advanced features:

- Adjustable start and span
- Stroke limit control
- Selectable operation direction (direct or reverse acting)
- Choice of linear or equal percentage flow characteristics
- Designed to be used with other manufacturer's valves with the appropriate Universal Valve Retrofit Kit

Applications

The Flowrite SKB/SKC Electronic Valve Actuator with proportional control is designed to be used with Flowrite and other standard valves with a 3/4-inch and 1-1/2-inch (20 and 40 mm) strokes in liquid and steam service applications.

A-191

Valves



SKB/SKC Specifications

Nominal Stroke	
SKB62U/UA.....	3/4" (20 mm)
SKC62U/UA.....	1-1/2" (40 mm)
Operating Voltage 24 Vac \pm 20%	
Frequency 50/60 Hz	
Power Consumption	
SKB62U/UA.....	17 VA (12 W)
SKC62U/UA.....	28 VA (20 W)
Control Signals	
Control Input (Y)	
Signal.....	0 to 10 Vdc or 4-20 mA
Max Impedance	
0 to 10 Vdc.....	100K Ohm
4 to 20 mA.....	250 Ohm
Control Input (Z)	
Resistance.....	0 to 1000 Ohms
Voltage.....	0 to 1.6 V

Feedback Output (U)	
Signal.....	0 to 10 Vdc or 4 to 20 mA
Local Impedance	
0 to 10 Vdc.....	>500K Ohm
4 to 20 mA.....	<500 Ohm
Run Time with Control Operation (full stroke)	
Pushing.....	120 sec.
Pulling with Spring	
SKB62U.....	10 sec.
SKC62U.....	20 sec.
Conduit Opening 1/2" NPSM	
Nominal Force	
NC and 3-way Upper	
Stroke.....	0%
Force.....	640 lbs. (2800 N)
NO and 3-way By Pass	
Stroke.....	100%
Force.....	1000 lbs. (4400 N)
Agency Approvals UL873, cUL, CSA C22.2 No. 24-93, CE N474	
Enclosure NEMA 1 (Interior Only)	
Operating	
Ambient Temperature.....	5 to 130°F (-15 to 55°C)
Media Temperature.....	14 to 428°F (-10 to 220°C)
Mounting Location NEMA 1 (Interior Only)	

SKB/SKC Product Ordering

Description	Part No.	Actuator Prefix Code
3/4" Stroke		
Standard Features	SKB62U	291
Advanced Features	SKB62UA	—
1-1/2" Stroke		
Standard Features	SKC62U	294
Advanced Features	SKC62UA	—

Ordering Note:

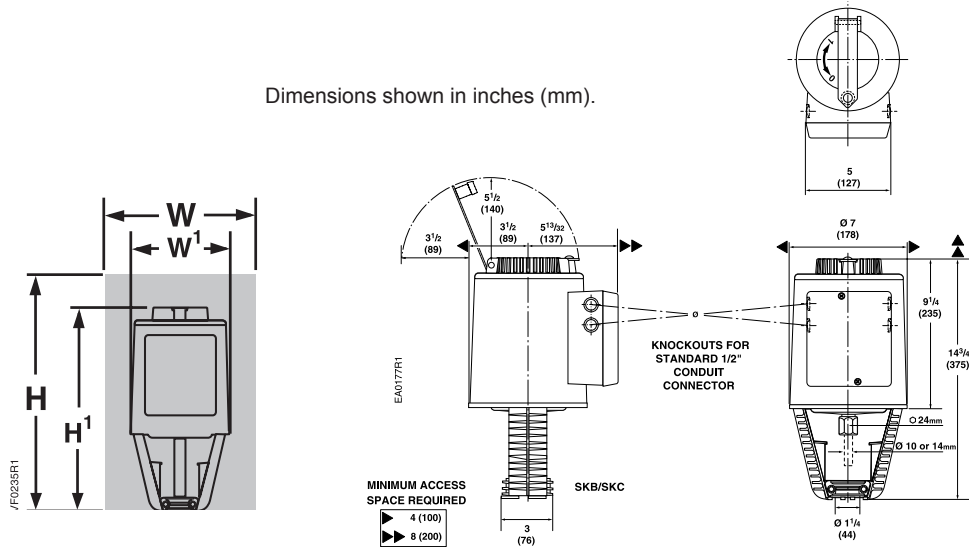
The SKB/UA can be used with other manufacturer's valves with the appropriate Universal Valve Linkage Kit.

A-192

Valves

Dimensions

Dimensions shown in inches (mm).



Height of Actuator H ¹	Service Height H	Width/Diameter of Actuator W ¹	Service Width W
14-3/4" (375 mm)	22-3/4" (578 mm)	7" (178 mm) Width x 8-15/16" (226 mm) Depth	25" (635 mm)

Table Note:

Service height and width are the recommended dimensions to allow access to the product.